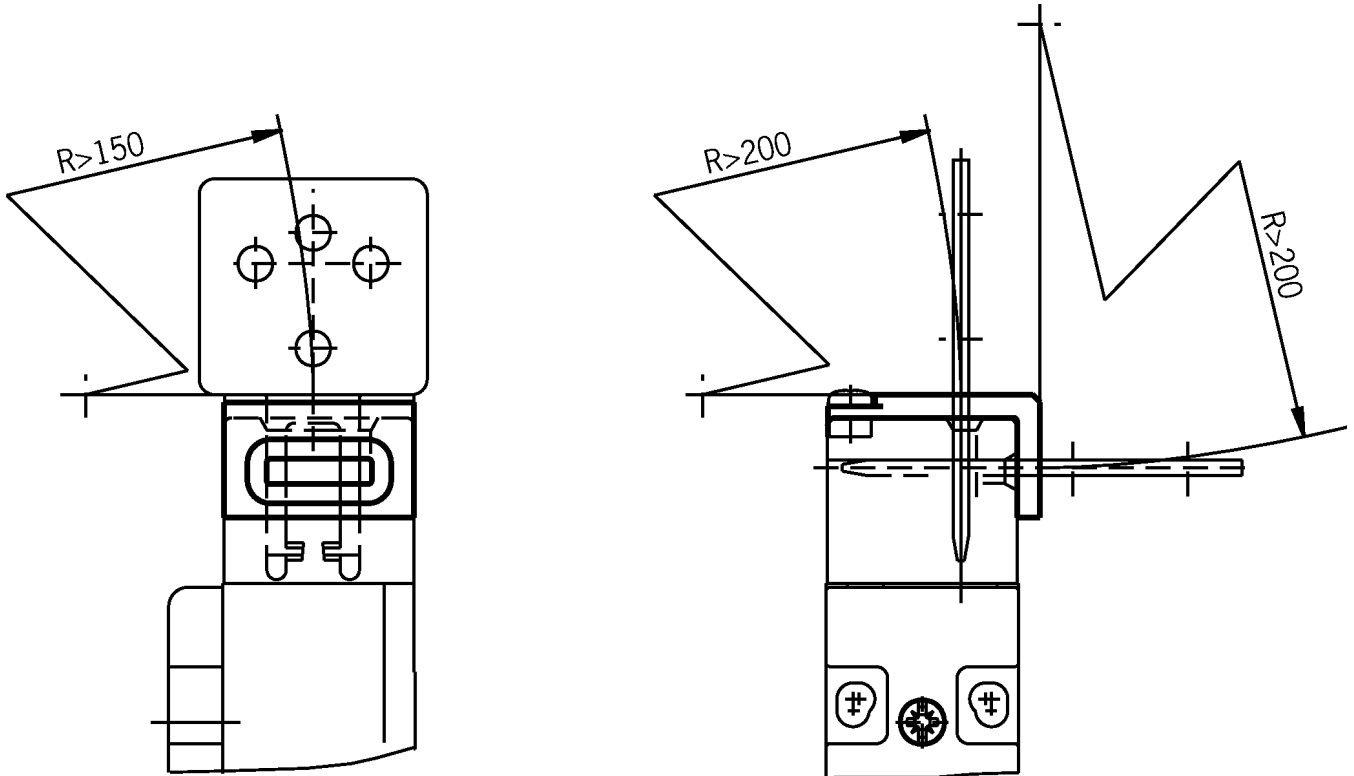


## EINFUEHRTRICHTER-M (Order no. 083565)

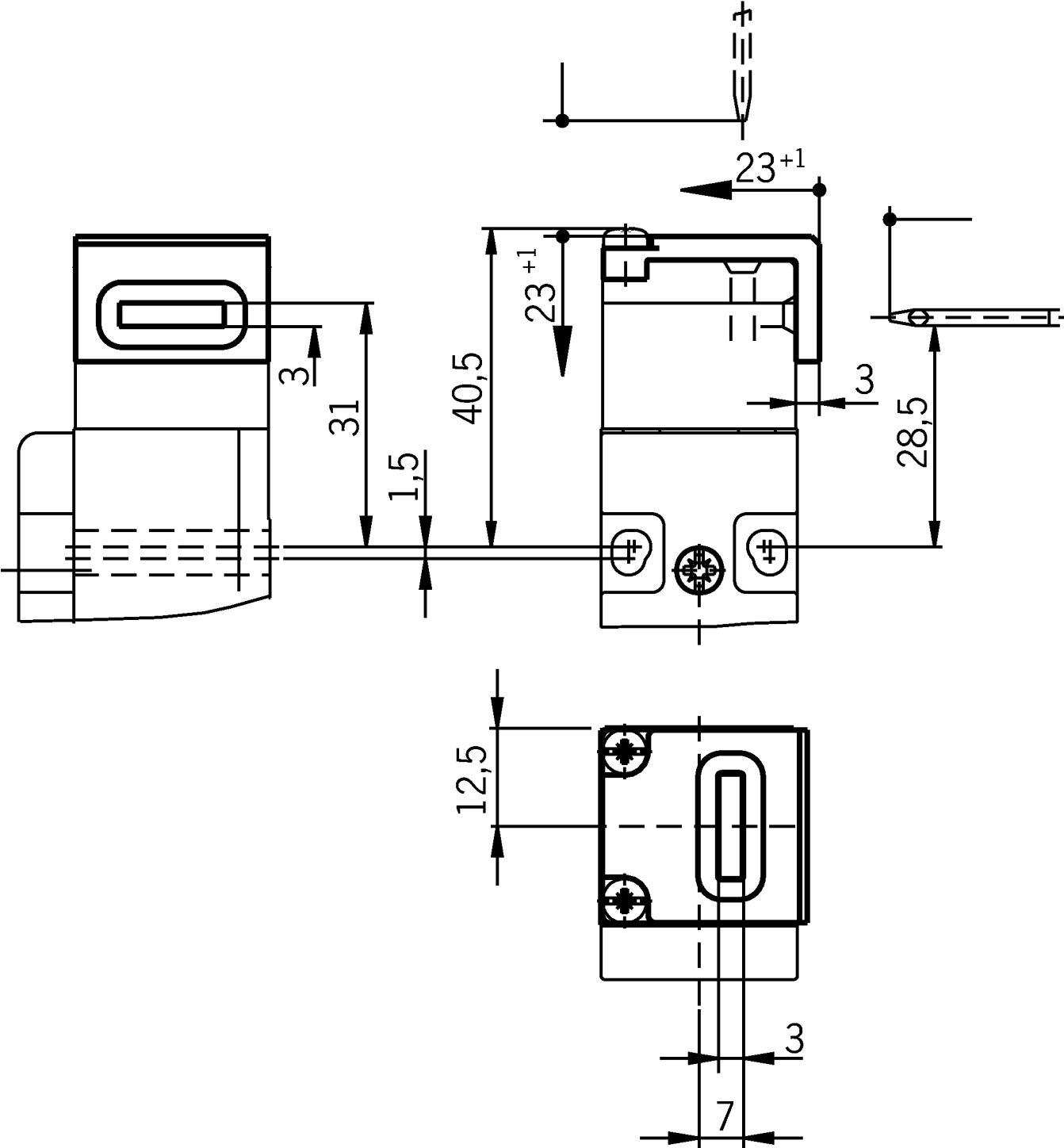
### Insertion funnel for safety switch NM..VZ

If an insertion funnel is used, even inexactly positioned actuators are inserted reliably in the actuating head due to the large opening funnel, thus protecting the safety switch against mechanical influences.

### Dimensional drawings



Dimensional drawings



## Technical data

### Mechanical values and environment

Material	Stainless steel
----------	-----------------

## Downloads

All documentation for this material can be found on our website:

<https://www.euchner.de/en-us/a/083565/?#downloads-tab>

**Ordering data**

Ordernumber	083565
Item designation	EINFUEHRTRICHTER-M
Gross weight	0,022kg
Customs tariff number	85389099990

## Accessories

### Actuator

#### Actuator for safety switch NM.VZ



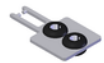
**074076**  
BETAETIGER-M-G

- ▶ Actuator made of stainless steel
- ▶ Two stainless-steel safety screws per actuator



**074077**  
BETAETIGER-M-W

- ▶ Actuator made of stainless steel
- ▶ Two stainless-steel safety screws per actuator



**074078**  
BETAETIGER-M-GT

- ▶ Actuator made of stainless steel
- ▶ Two stainless-steel safety screws per actuator
- ▶ Actuator with rubber bush



**074079**  
BETAETIGER-M-GQ

- ▶ Actuator made of stainless steel
- ▶ Two stainless-steel safety screws per actuator
- ▶ Actuator with rubber bush



**074080**  
BETAETIGER-M-WT

- ▶ Actuator made of stainless steel
- ▶ Two stainless-steel safety screws per actuator
- ▶ Actuator with rubber bush



**074128**  
BETAETIGER-M-GS

- ▶ Actuator made of stainless steel
- ▶ Two stainless-steel safety screws per actuator
- ▶ Compact design



**074129**  
BETAETIGER-M-WS

- ▶ Actuator made of stainless steel
- ▶ Two stainless-steel safety screws per actuator
- ▶ Compact design



**074130**  
BETAETIGER-M-GTS

- ▶ Actuator made of stainless steel
- ▶ Two stainless-steel safety screws per actuator
- ▶ Actuator with rubber bush
- ▶ Compact design